

# RF MEASUREMENT DURING CW OPERATION OF AN RFQ PROTOTYPE

M. Vossberg, C. Lenz, H. Podlech, A. Schempp, Univ. Frankfurt, Germany  
 A. Bechtold, NTG Neue Technologien GmbH und Co KG, Gelnhausen

### Abstract

As a part of the MAX (MYRRHA Accelerator Experiment and Development) project a 4-rod Test-RFQ with a resonance frequency of 176 MHz has been designed and built for the MAX-Project. But the RFQ had to be modified to solve the cooling problem at cw-operation, the geometrical precision had to be improved as well as the rf-contacts. The developments led to a new layout and a sophisticated production procedure of the

stems and the electrodes. Calculations show an improved Rp-value leading to power losses of <30 kW/m only, which is about 60 % of the power losses which could be achieved safely at cw-operation of the similar Saraf-RFQ. Thermal measurements and simulations with the single components are in progress. The temperature distribution in cw-operation will be measured and the rf-performance checked.

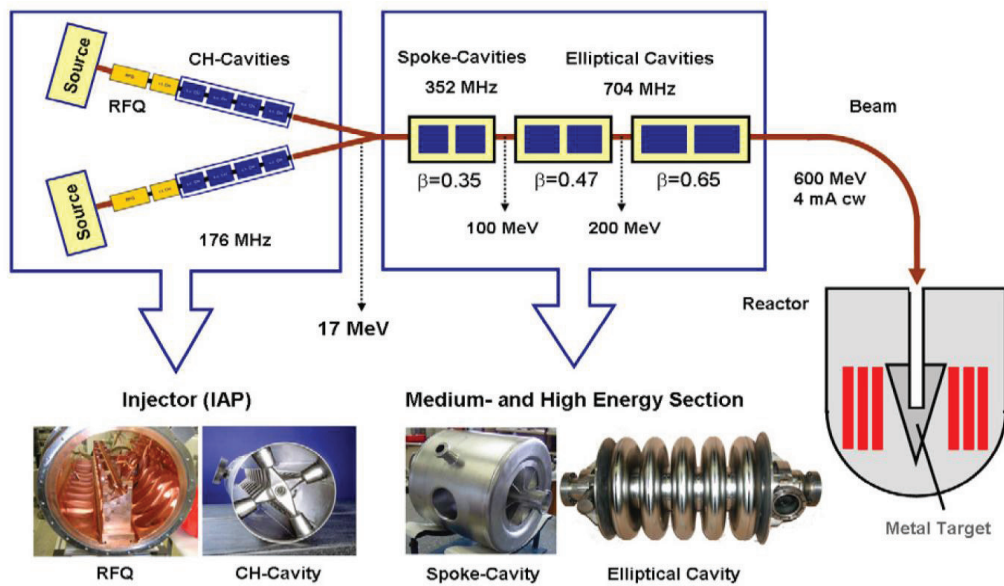


Figure 1: An overview of the MYRRHA driver linac.

## INTRODUCTION

The development of MYRRHA (Multi-purpose hybrid research reactor for high-tech applications) is important to investigate advanced technologies for future power generations. With this test reactor the transmutation of long-lived radioactive waste of nuclear power plants will be studied. Also the reactor will contribute to the present material research and replace the expiring molybdenum reactors, which are essential for the nuclear medicine. An absolutely reliable proton accelerator is required for the operation of the reactor. Breakdowns of the cw proton beam will cause thermal stress in the reactor core and it will also decrease the lifetime of the reactor. This is the reason why the design of the LINAC and the proton injector part has to be very safe [1]. A short and effective injector section is recommended by a KONUS (combined zero degree structure) beam dynamics design [2].

## MYRRHA INJECTOR

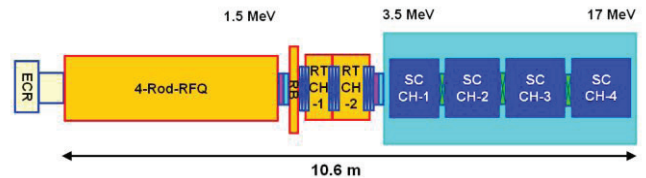


Figure 2: General layout of the MYRRHA injector.

The planned injector consists of an ECR source, a Radio Frequency Quadrupole (RFQ), two room-temperature CH-cavities and four superconducting CH-cavities. During the EUROTRANS project the RF frequency of the 17 MeV injector part has been set to 352 MHz. The new layout is changed to 176 MHz. The main reason is the possibility to use a flexible and more inexpensive 4-rod-RFQ instead of the 4-vane-RFQ. This

176 MHz RFQ accelerates the particles to 1.5 MeV. Between the 1.5 MeV endsection of the RFQ and the entrance of the first sc CH-cavity the energy gap is covered by two rt CH-cavities. The main acceleration takes place in the four sc CH-cavities. For the MYRRHA project it is planned to build two identical injectors to fulfil the stringent reliability requirements of the whole project. Good performance of the injector was shown by beam dynamic simulations. [3] [4]

### RFQ

By changing the resonant frequency from 352 MHz to 176 MHz it is possible to use a 4-rod RFQ instead of a 4-vane RFQ. Compared to the 4-vane RFQ the 4-rod RFQ has excellent tuning and access capabilities with a significant lower technological risk and capital cost. To limit the thermal load of the cavity to 25 kW/m the electrode voltage has been fixed to 40 kV. This is only half the value which has been already shown for a safe operation. A short four stem section of the RFQ is under construction for testing the properties and the behaviour under high average power. Table 1 shows the main design parameters.

Table 1: RFQ Beam Dynamics Design Parameters

Operation frequency	176 MHz
Injection energy	30 keV
Operation energy	1.5 MeV
Length	400 cm
Electrode voltage	40 kV
Impedance	67 kΩm
RF power	100 kW
Thermal load	25 kW/m

### TEST-RFQ

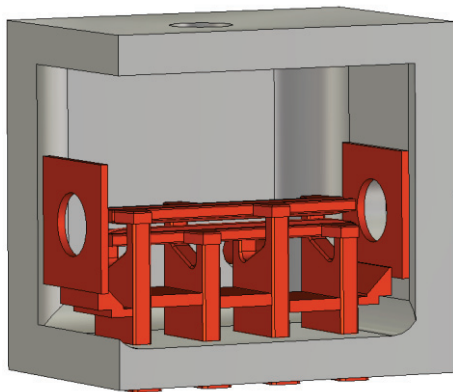


Figure 3: MWS model of the Test-RFQ

The test RFQ-cavity consists of a 5 cm thick tank with a length of about 50 cm and the electrode length is 36.8

cm. Between the stems there are three tuning plates for frequency tuning. By modifying the position of the tuning plates, the frequency can be changed from 160 MHz to 192 MHz. For a better connection, silver plated tuning plates will be used. During operation a tuner will be used to correct the frequency.

First simulations with Microwave Studio shows, that the total thermal losses in this Test-RFQ is about 9 kW. In figure 4 the current distribution is shown, the thermal losses are about 1.1 kW for a single stem and 0.9 kW for a single electrode. The highest field is at the connection between the electrodes and the stems.

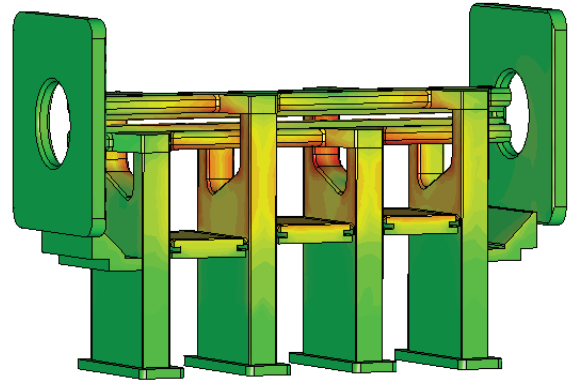


Figure 4: Current distribution on the resonator.

Because of the thermal losses, a very good water cooling system is required to hold the frequency steady during cw operation. A new water cooling system was designed for the stems and the electrodes. Figure 5 shows the cooling channel inside a stem, it is split into two parts so that both sides of the stem are well cooled.

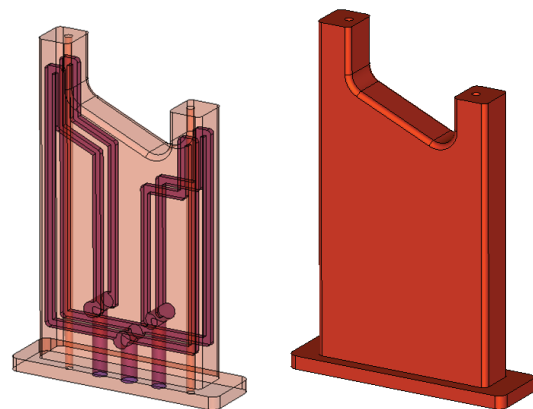


Figure 5: New stem design with the cooling channels.

Thermal simulations with this cooling system were done with MWS. Figure 6 shows the difference of the resonant structure without a cooling system and with a water cooled system at 20°C water temperature. In the

upper picture the temperature of the electrodes is very high. Considering the cooling system in the calculations there are only a few hotspots with a maximum temperature of about 58 °C.

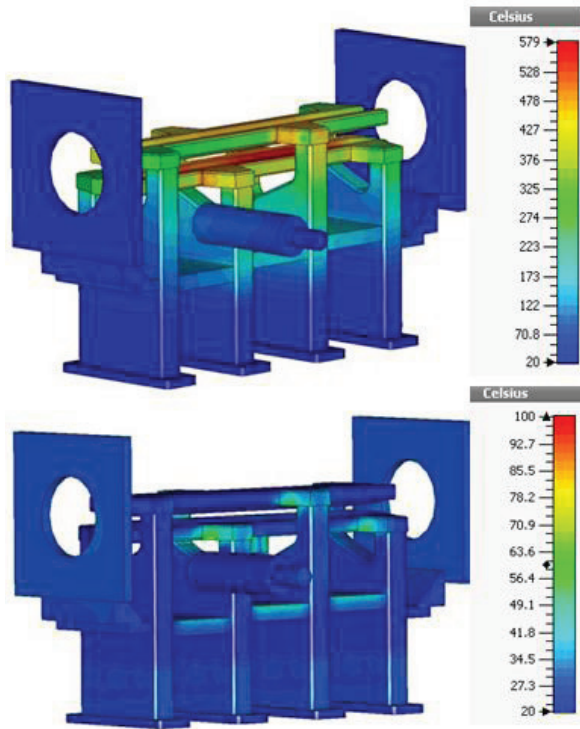


Figure 6: Thermal Microwave Studio simulations with (bottom) and without (top) cooling.

Thermal measurements on a single stem show the temperature distribution on the stem. For this measurement the stem was heated to 90°C, at this temperature the water cooling system was turned on.

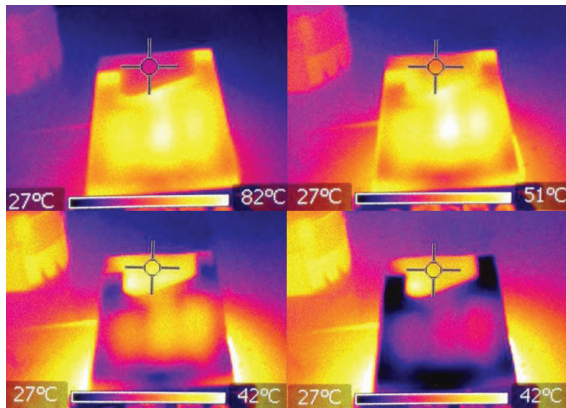


Figure 7: Thermal measurements on a single stem.

Figure 7 shows the different temperatures during the measurement. The stem was cooled down to nearly water temperature after 30 seconds with a water flow rate of only 0.08 l/s at a water pressure of 1 bar.



Figure 8: Picture of the 4-rod Test-RFQ.

Figure 8 shows a picture of the 4-Rod-Test-RFQ. The tuning plates are placed between the stems and the electrodes are aligned.

## STATUS

Thermal simulations for the Test-RFQ and first thermal measurements on the stems were completed. The stems and the tuning plates were inserted into the cavity. The electrodes were delivered in January 2013. The alignment of the electrodes and the tuning plates has been done. First RF-power tests are in preparation.

## ACKNOWLEDGEMENT

This work has been supported by European Union FP7 MAX Contract No. 269565.

SL CH: BMBF contr. no 05P12RFRBL

## REFERENCES

- [1] D. Mäder, H. Klein, H. Podlech, U. Ratzinger, M. Vossberg, C. Zhang, „Development of CH-Cavities for the 17 MeV MYRRHA-Injector“, IPAC2011, San Sebastian, Spain, September 2011.
- [2] R. Tiede, U. Ratzinger, H. Podlech, C. Zhang, G. Clemente, “KONUS beam dynamics design using H-mode cavities” Hadron Beam 2008, Nashville, Tennessee, USA, August 2008.
- [3] H. Podlech, M. Amberg, H. Klein, D. Mäder, U. Ratzinger, A. Schempp, R. Tiede, M. Vossberg, C. Zhang, “General layout of the 17 MeV injector for MYRRHA” IPAC2011, San Sebastian, Spain, September 2011.
- [4] C. Zhang, H. Klein, D. Mäder, H. Podlech, U. Ratzinger, A. Schempp, R. Tiede, “From Eurotrans to MAX: New Strategies and Approaches for the injector Development” IPAC2011, San Sebastian, Spain, September 2011.