

# Resonance Control System for the Fermilab PIP-II IT HWR Cryomodule

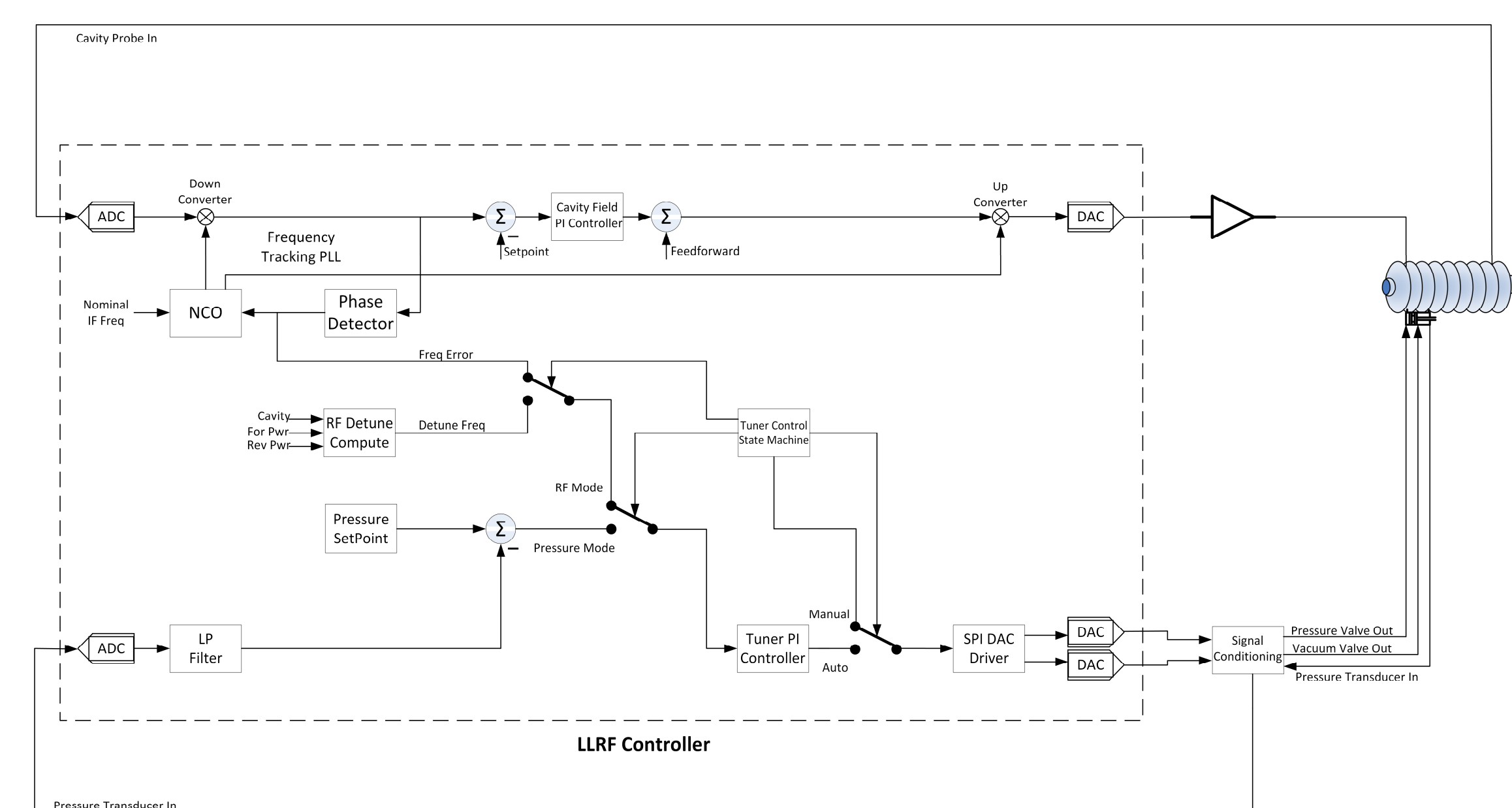
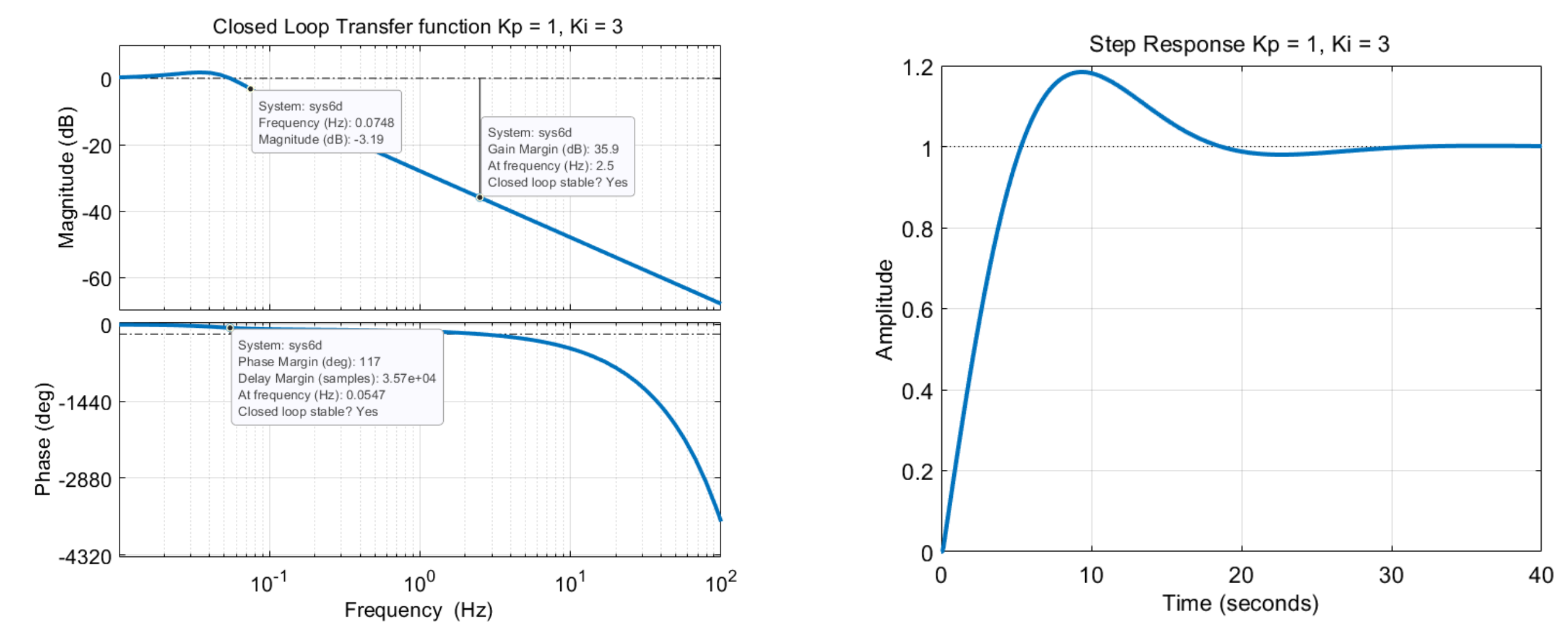
P. Varghese\*, B. Chase, S. Raman, H. Maniar, D. Klepec, D. Nicklaus, P. Hanlet, Fermilab, Batavia, IL, USA  
L. Doolittle, C. Serrano, S. Paigua, LBNL, Berkeley, CA, USA

ID2264

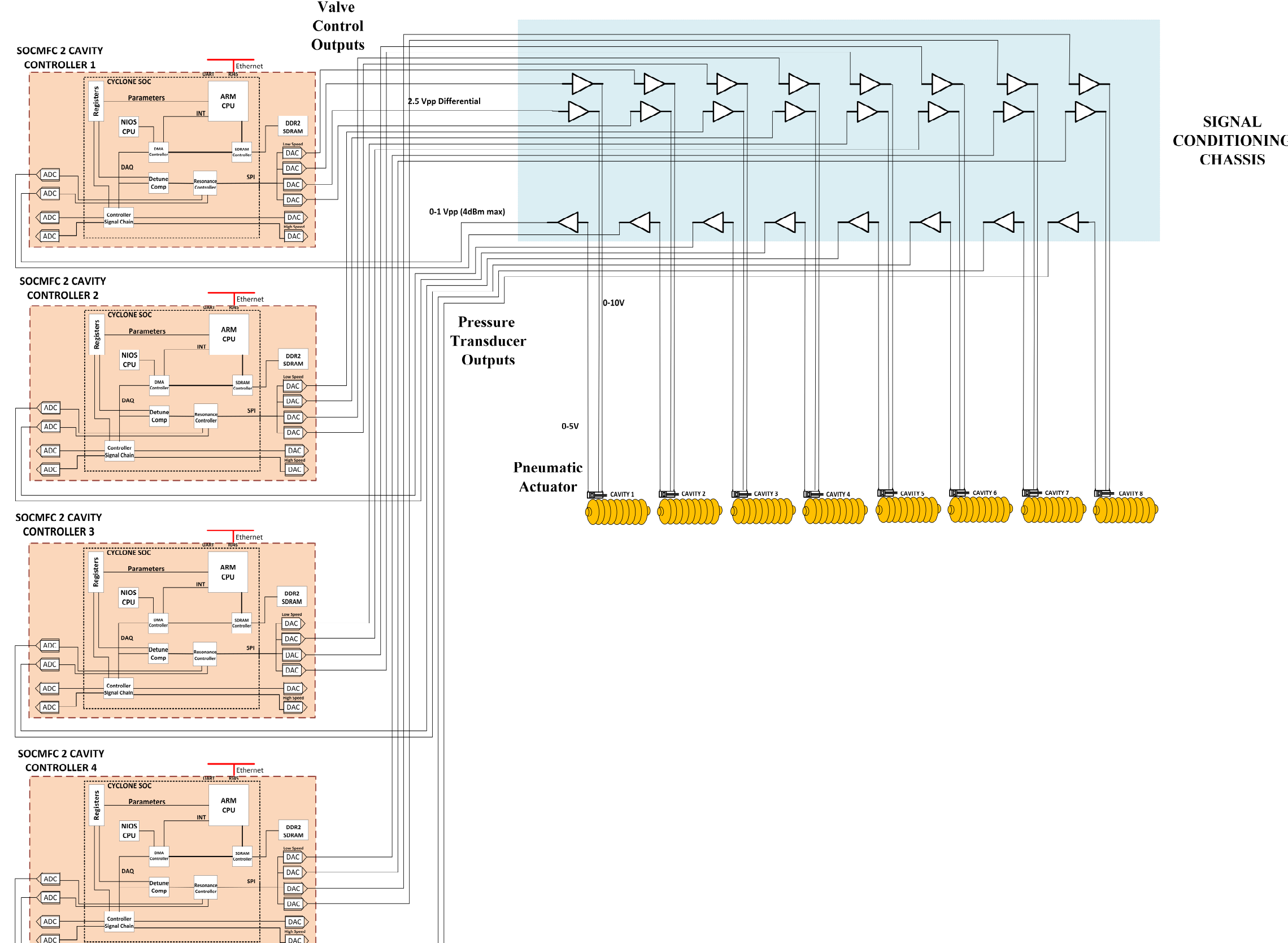
## Introduction

- The HWR (half-wave-resonator) cryomodule is the first one in the superconducting section of the PIP-II LINAC project at Fermilab.
- The HWR cryomodule comprises of 8 cavities operating at a frequency of 162.5 MHz and accelerating beam upto 10 MeV.
- Resonance control of the cavities is performed with a pneumatically operated slow tuner which compresses the cavity at the beam ports.
- Helium gas pressure in a bellows mounted to an end wall of the cavity is controlled by two solenoid valves, one on the pressure side and one on the vacuum side.
- A pressure feedback control loop can hold the cavity tuner pressure at a fixed value for the desired resonant frequency. Alternately, the feedback loop can regulate the cavity tuner pressure to bring the RF detuning error to zero.

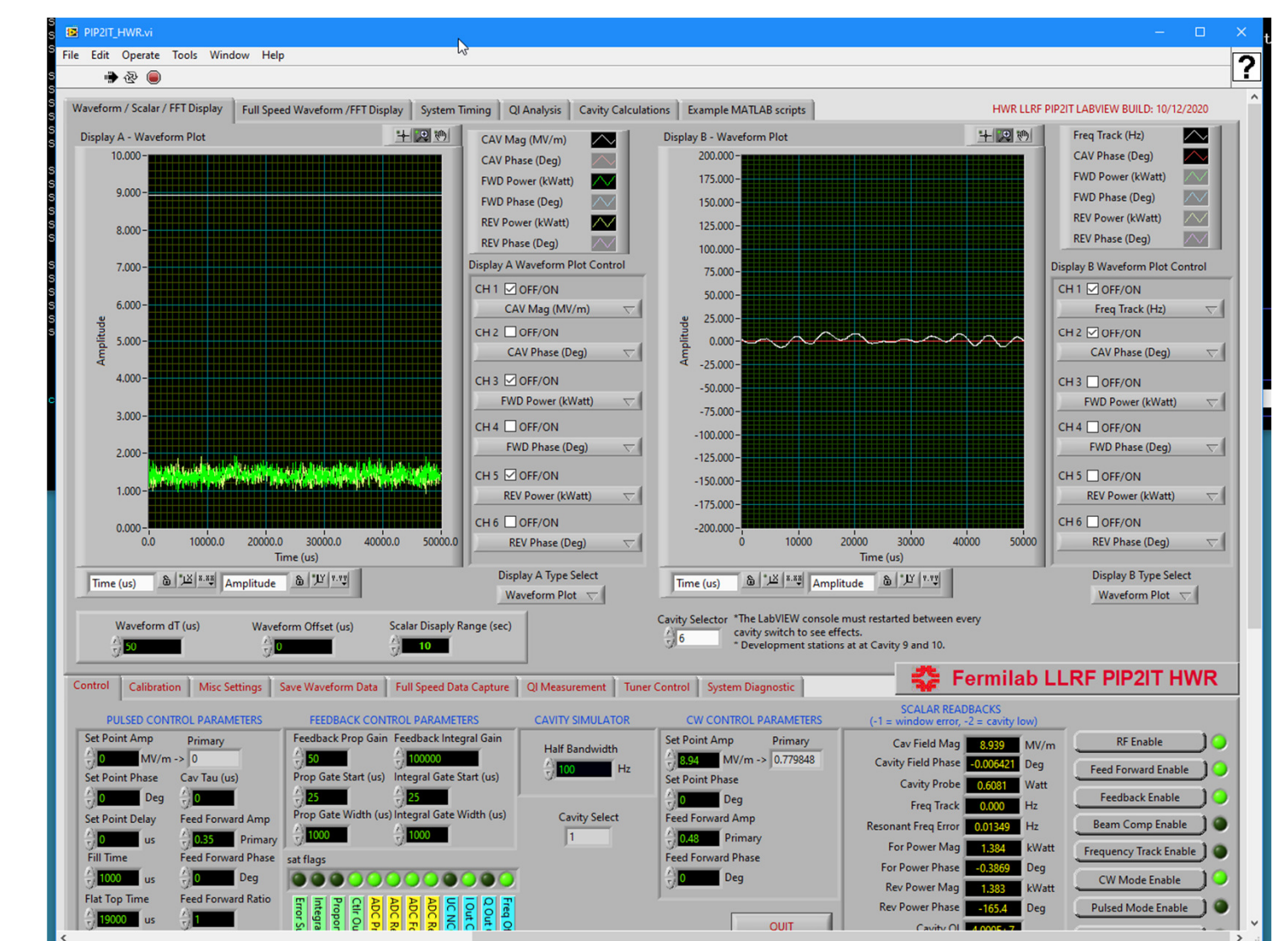
## Tuner Control Design



## HWR Resonance Control System

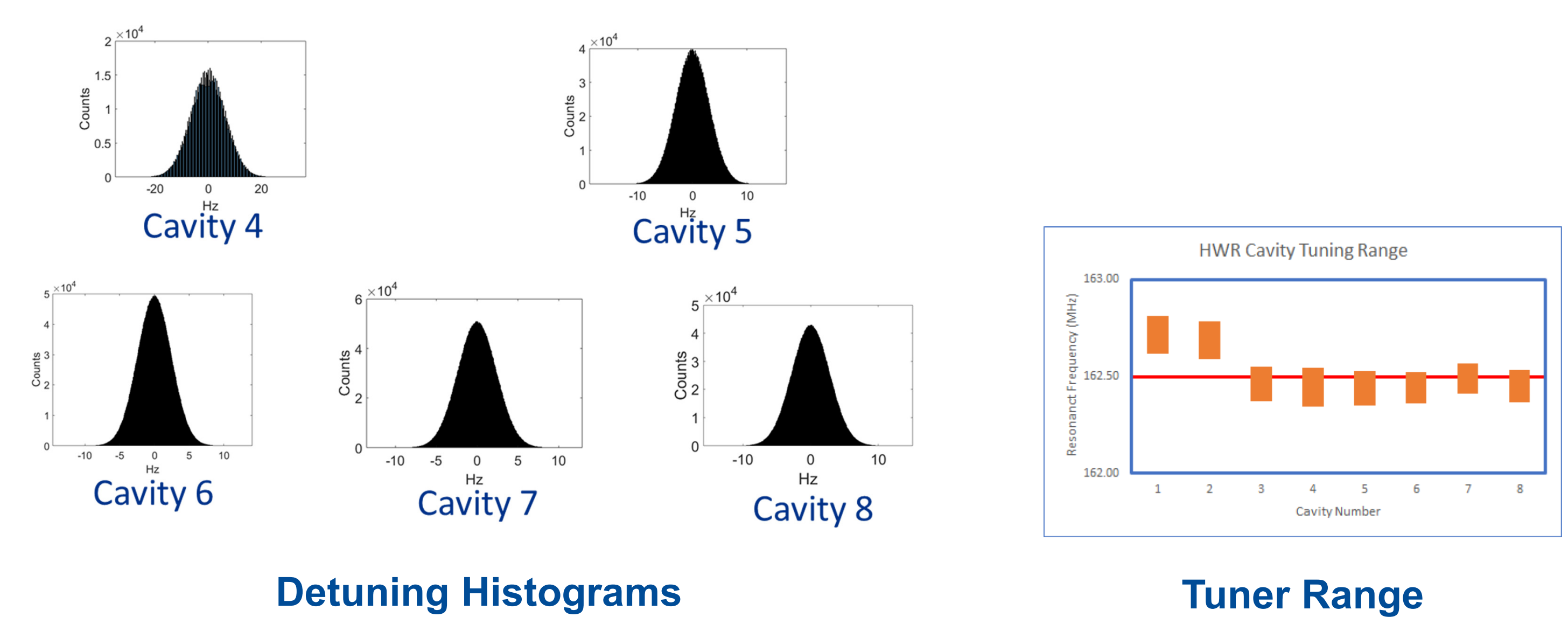
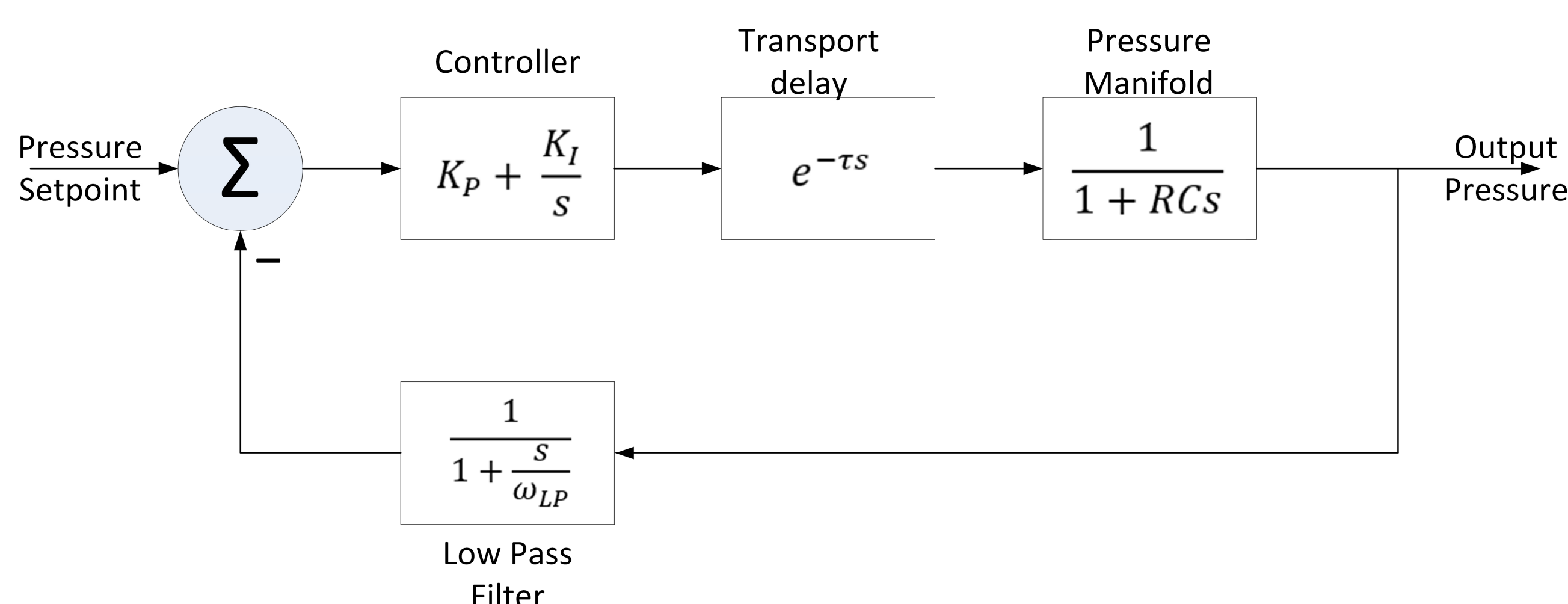
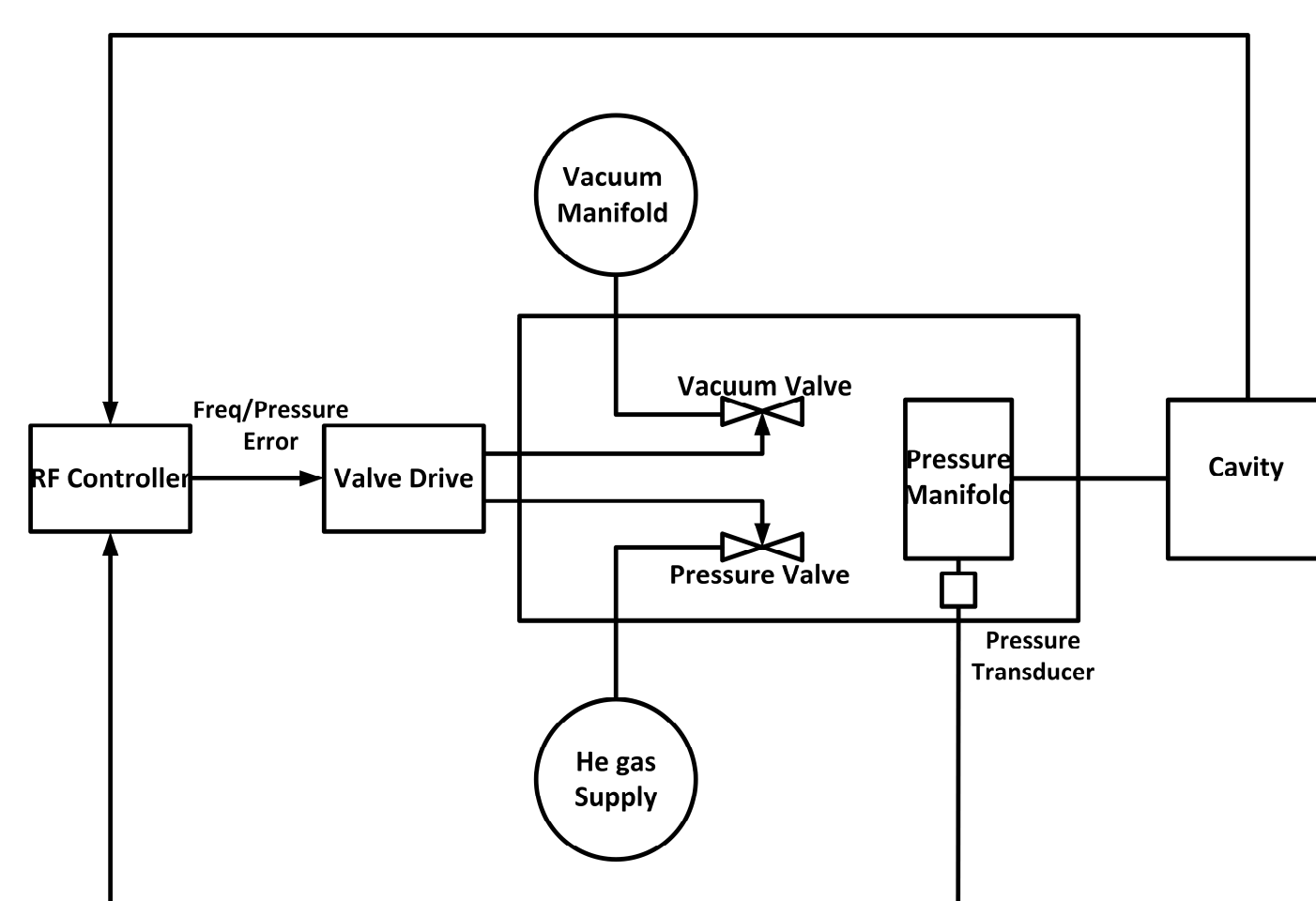


## Tuner Performance



Cavity Detuning

## Pneumatic Tuner Control System Model



## Summary

- A tuner control system for the pneumatic tuner was integrated into the LLRF controller which is implemented with an SOC FPGA.
- The cavity detuning computation in GDR mode is obtained from the cavity probe and forward power inputs.
- Cavity detuning was held to the <20 Hz max excursions specified by the PIP-II requirements



\*varghese@fnal.gov

