

## MODERNIZATION OF BCT FOR INR LINAC

P. Reinhardt-Nickoulin, A. Feschenko, A. Mirzozan,  
Institute for Nuclear Research of RAS, Moscow, Russia

### Abstract

The INR Proton Linear Accelerator beam is now  $10 \div 12$  mA amplitude with pulse duration  $0.3 \div 200$  microseconds and the repetition rate  $1 \div 50$  Hz. It is necessary for various nuclear experiments and applications. The Beam Current Transformers (BCT) system was modernized to provide higher sensitivity of beam current pulse measurements. New BCT electronics was developed and installed also. This electronics was tested in high radiation conditions of experimental areas successfully. Besides that new wide bandwidth BCT Monitor was developed, tested and installed for measurements both short and long beam current pulses. The available results of beam pulse measurements are given. New BCT details are described.

### INTRODUCTION

To satisfy both fundamental and applied research requirements it is necessary to accelerate in INR Proton Linac  $0.3 \div 200$   $\mu$ s beam pulses with rise times from 100 ns for short pulses to 10  $\mu$ s or more for long pulses. The measurements of these pulses should be realized by means of different beam current transformers and electronics. For these aims vacuum valve preamplifiers in accelerator tunnel were replaced by simpler and lighter integrated circuit operational preamplifiers of two types. First one is adopted for standard BCT to measure beam pulses from 20  $\mu$ s to 200  $\mu$ s. Second one is adopted for Universal Beam Current Transformer (UBCT) monitor. UBCT should measure beam pulses in the full range of the beam parameters from 0.3  $\mu$ s with time resolution better 20 ns.

BCT preamplifiers were tested for radiation hardness that radiation conditions more hard than standard conditions on our accelerator at INR Isotope Production Complex. Accurate non-intercepting reliable measurement of beam charge on targets is very important for new isotope production because target beam proton charge defines new isotope quantity produced in target and requirements for beam time also.

BCT and UBCT construction and its electronics are described. Results of BCT and UBCT tests on the beam are presented.

### RADIATION CONDITIONS, BCT AND UBCT PREAMPLIFIERS CIRCUIT SELECTION

Measured ratio of induced activation levels on the surfaces of different linac parts is changed  $10^2$  times from a few mR/hour up to Roentgen/hour. That is average proton beam current losses at linac beam time may be as standard 1 nA/m as more 100 nA/m in some parts. For example at proton beam energy 209 MeV  $\gamma$ -photons level, measured after 3 days of linac stop on linac output, was 10 mR/h and more 100 mR/h on the distance 2 m from

output at the surface of beam transport line. It is supposed 209 MeV beam halo protons are lost to the inner metal of the vacuum chamber with 1 mrad angle of incidence relative to chamber surface. The incidence points are distributed uniformly over the surface of the vacuum chamber [1, 2] and all halo protons are stopped in chamber metal. For example 250 MeV protons have 6.5 cm track length in copper before stop approximately.

If one take into account that at energy 209 MeV one proton after stopping in copper or steel vacuum chamber walls produces one neutron approximately, it is easy to calculate for average 1 nA/m proton losses the neutron flux is  $\sim 10^5$  neutrons/(cm<sup>2</sup>s) on 1 meter distance from accelerator axis roughly. There are no any neutron energy moderators between linac walls and preamplifiers. Then neutron flux contains fast neutrons in most part. Neutron distribution versus neutron energy has maximum between 0.4-1.5 MeV with 0.7 MeV for centre energy. The distribution grows slowly for 0.001-0.7 MeV neutron energy from  $10^{-2}$  to  $2.5 \times 10^{-2}$  neutron/MeV/sr/proton and falls down for 1.5-100 MeV neutron energy range from  $2 \times 10^{-2}$  to  $10^{-5}$  neutron/MeV/sr/proton. The angle neutron distribution is between 0-180 degrees. Besides neutrons 0.002 secondary protons at 0-180 degrees are produced by beam proton losses. As is known [3] fast neutrons do bulk damage in silicon through the displacement of atoms while thermal neutrons cause damage by means of nuclear reactions. Energetic fragments and transmutations are produced in these reactions.

Silicon transistors gain coefficient should be diminished at radiation dose of  $10^{14}$  neutron/cm<sup>2</sup>. Then it is necessary to take into account radiation hardness electronics in these conditions. The selection of integrated circuit preamplifiers (ICP) defines reliability of electronics mainly. For preamplifiers test three points along linac were picked out. First one has  $\sim 10$  mR/h level on vacuum chamber surface, second one  $\sim 100$  mR/h, third one  $\sim 300$  mR/h after 3 days. Last point is at INR Isotope Production Complex industrial premise with 160 MeV beam energy, average proton beam  $100 \div 120$   $\mu$ A and high radiation and induced activation levels due to isotope targets nearness. BCT preamplifiers were installed on 1.5 m distance from BCT linac chamber at these 3 points in 2003 year end. UBCT preamplifier was installed in November of 2004 year at the point with 10 mR/h level. It was selected simple AD810N amplifiers for BCT and AD8055 amplifiers for UBCT after some probes.

### BCT AND UBCT CONSTRUCTION

As standard BCT should work with long pulses, it is no need to design wide bandwidth BCT-ICP system. The pulse duration of linac between 20  $\mu$ s and 200  $\mu$ s demands rise times about 1  $\mu$ s for BCT-preamplifier system. Small pulse damping at pulse duration is necessary to guarantee

accurate measurements also. BCT turn quantity of transformer winding was decreased in 2 times for better sensitivity. Input resistance  $r_{in}$  of BCT current-to-voltage preamplifier was decreased in 8 times, for saving constant  $\tau = (L/r_{in})$  of current transformer ( $L$  - BCT inductance). Current-to-voltage preamplifiers on AD810N are placed in steel boxes at 1.5 m from linac. Ceramic capacitors and metal film resistors were used in preamplifiers.

BCT construction was changed for UBCT, as UBCT [4] should transform both short (0.3  $\mu$ s) and long (up to 200  $\mu$ s) beam current pulses. Simplified scheme of UBCT construction is shown in Fig. 1.

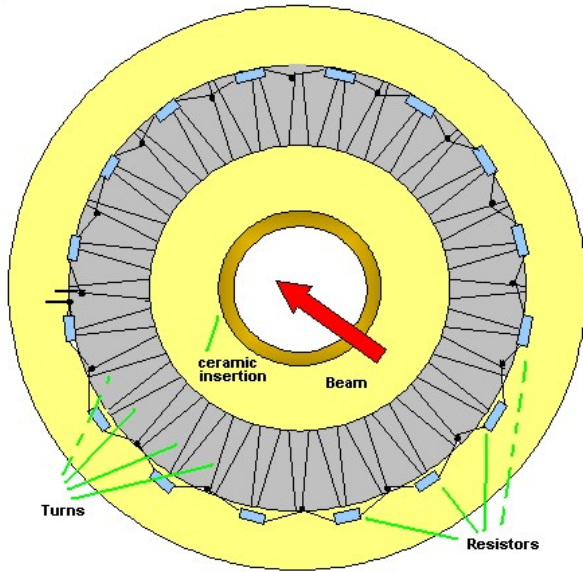


Fig. 1. Simplified construction of UBCT.

It has 64 turns winding on ferromagnetic high permeability tape toroidal core. Every 4 turns are shorted by 15 Ohm resistors. This set of resistors enables to decrease oscillations of BCT output signal [5]. Electromotive forces and currents of all turns are equal to each other if a beam is in a centre of a core. But there is no equality if beam position is not centred. Beam displacement is the reason of output signal oscillations because turn currents are not equal in this occurrence and some waves arise in spiral line of beam transformer.

These waves interference don't permit to see time structure of short pulses. The set of resistors should suppress this interference. Main conditions for the interference suppressing are 1)  $R \ll Z_w$ , where  $R$  is resistor value between turns,  $Z_w$  is wave impedance of BCT spiral line without the set of resistors, 2)  $nR \gg r$ , where  $n$  is quantity of  $R$  in UBCT winding,  $r$  is resistance of UBCT loading.

Reflections in cable line between UBCT and preamplifier are distortion source also. Extinguishing of these reflections waves can be done by short distance between UBCT output and ICP input or by means of suitable parallel resistor on UBCT output (a little more 75 Ohm for our cable). The rise time at input of ICP should be near 10 ns for 1 m cable.

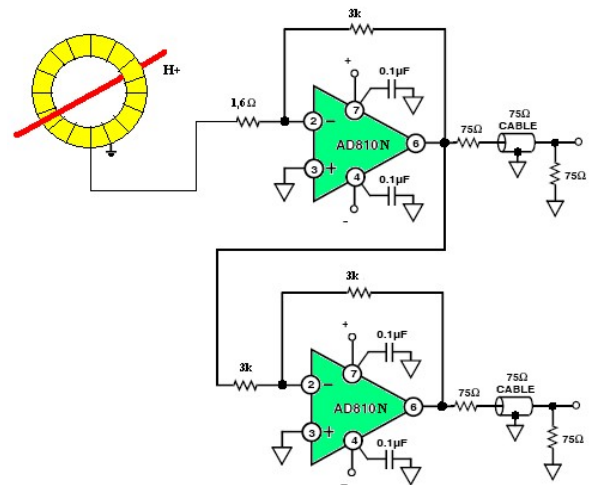
## MONITORS ELECTRONICS

The schematic diagram of preamplifiers electronics is shown in Fig. 2 a, b. Preamplifier of BCT is built on two AD810N transimpedance amplifier circuits. These video amplifiers are adopted for 75 Ohm cable. There are no any additional circuits for transmission of BCT pulses through 150 m connecting cables in terminated loads in control room. AD810N preamplifiers for BCT work during ~4000 hours in  $\approx 35$  time intervals and 4-month every year summer vacations in test points without change of properties (preamplifiers gains and bandwidth) within of  $\pm 1\%$ .

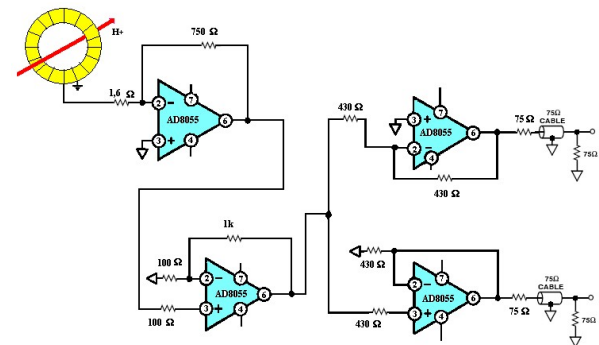
AD8055 preamplifier for UBCT works during ~3200 hours in 10 mR/h points at the same time and beam energy.

Preamplifiers lifetime is determined by the neutron flux of  $10^{14}$  n/cm<sup>2</sup> in  $3.6 \times 10^7$  s or 10000 hour or 12.5 years for our conditions.

UBCT electronics consists of 20 MHz preamplifier installed in the vicinity of the UBCT and main amplifier and calibrator located outside the linac tunnel.



a) BCT preamplifier simplified circuit



b) UBCT preamplifier simplified circuit

Fig. 2. BCT and UBCT preamplifiers.

The preamplifiers have one input and two symmetrical outputs for subtraction of cable interference at the input of main amplifiers. The time constant  $\tau$  of flat top damping is equal to  $L/R_{in}$ , where  $L$  is inductance of UBCT and  $R_{in}$  are input resistance of the preamplifier. This time

is long enough in our case to observe beam pulses up to 200  $\mu\text{s}$  without distortion. The high frequency distortions are defined by time constant of wave spreading in UBCT. The waves pass through set of resistor and this process takes a few ns. Main amplifier has bandwidth 15 MHz and symmetrical input. Hence, the bandwidth of the system is defined by main amplifier. The circuits of the preamplifier and the amplifier are similar. The calibrator works out test pulses for UBCT and electronics. The level of the calibration signal on the UBCT, defined by the source of current on bipolar transistor, is equal to 20 mA and can be changed by means of regulation of emitter circuit resistor. The calibration pulses with duration 0.25 $\mu\text{s}$  and 200 $\mu\text{s}$  are used for the UBCT monitor verification.

### RESULTS

Short pulses (0.3÷5  $\mu\text{s}$ ) are formed in the linac injection line by means of beam pulse shaping system. Amplitude of the accelerated beam pulse is equal to 10÷12 mA.

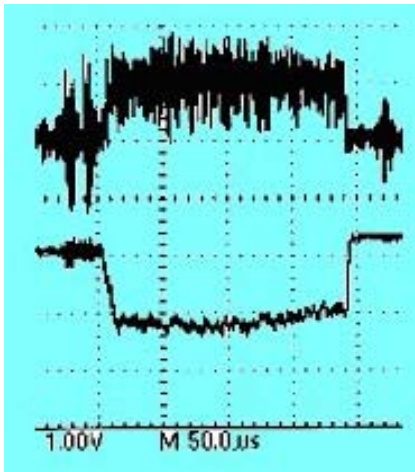


Fig. 3. Time structures of beam pulses.

The comparison between UBCT and standard BCT signals is shown in Fig. 3. It is 190  $\mu\text{s}$  beam pulses from UBCT (upper pulse) and BCT respectively. Pulses were registered on 160 MeV beams.

The comparisons between BCT (lower track) and standard UBCT signals are shown in Fig. 4 for short pulse. Some interference is seen on Fig. 3 and 4.

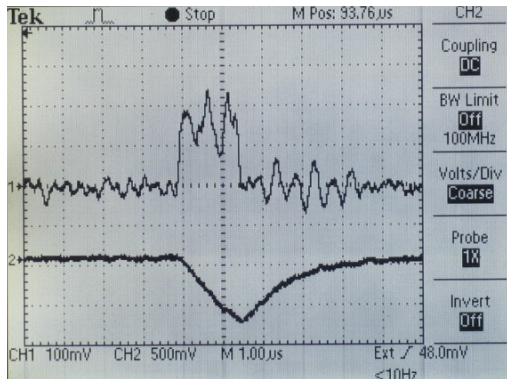


Fig. 4. Short pulse.

As easy to see standard BCT with its electronics flattens fluctuations of beam pulses. UBCT observes rise times, interference and top fluctuations in full range of the beam pulse durations from 0.3  $\mu\text{s}$  to 200  $\mu\text{s}$ . Additional signal integrating circuit is in main amplifier for signal flattening.

### CONCLUSION

The new BCT monitors with its electronics permit to observe and measure 20÷200  $\mu\text{s}$  long beam pulses without distortions of beam parameters. UBCT monitor with electronics permits to observe short and long beam pulses with high time resolution to give information about proton pulse current fluctuations and should be used for beam conditioning in case of BCT can not sure enough accuracy. The sensitivity of these devices was increased in 2 times too.

Preamplifiers can be used at INR linac radiation condition since there are no any variations of electronics parameters during long time of exploitation due to  $\gamma$ , neutron and proton radiation in linac.

### REFERENCES

- [1] RADIATION DAMAGE TO THE ELEMENTS OF THE NUCLOTRON-TYPE DIPOLE OF SIS100, E.Mustafin, G.Moritz, G.Walter, GSI, Darmstadt, Germany, L.Latycheva, N.Sobolevskiy, INR RAS, Moscow, Russia.
- [2] N. M. Sobolevskiy, INR RAS, private communication.
- [3] Neutron Radiation Effects Program (NREP) at the Indiana University Cyclotron Facility. B. vonPrzewoski, et al. ICANS-XVII, 17<sup>th</sup> Meeting of the International Collaboration on Advanced Neutron Sources, April 25 – 29, 2005, Santa Fe, New Mexico.
- [4] Universal BCT Monitor for INR Proton Linac Pulse Beam. P. Reinhardt-Nikoulin, V. Gaidash, A.Menshov, A.N.Mirzozan, A.V.Feschenko XIX International Workshop on Charged Particle Accelerators, Ukraine, Alushta, Crimea, September 12-18, 2005.
- [4] A.S. Kalinin. Wide bandwidth BCT. // *Problems of Atomic Science and Technology. Series: "Linear Accelerators"*. 1976, 1(2), p. 25 (in Russian).